

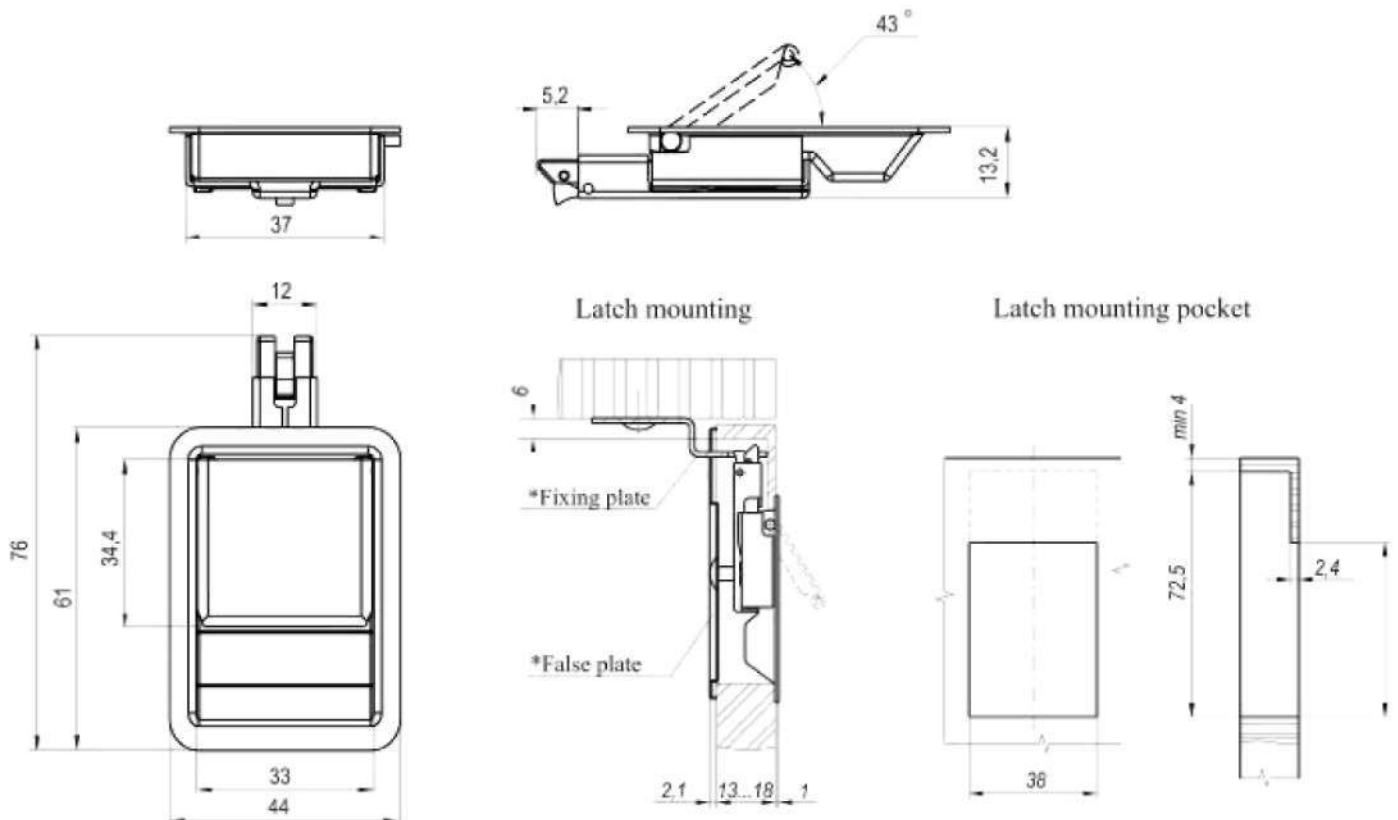
## CABINET LATCH (P/N 325843.001.000-01)



Latch is to provide reliable fixation of furniture doors with minimal effort.

- Comfort
- Reliability
- Decorative coat (titanium nitride, aluminum nitride, chrome)
- Flush - mounted
- Material – stainless steel
- Weight with mounting set: 0,048 kg

### DIMENSIONS, MM



\* included in a mounting set