

INDIVIDUAL AIR OUTLET



Designed for passenger to adjust airflow direction and intensity.

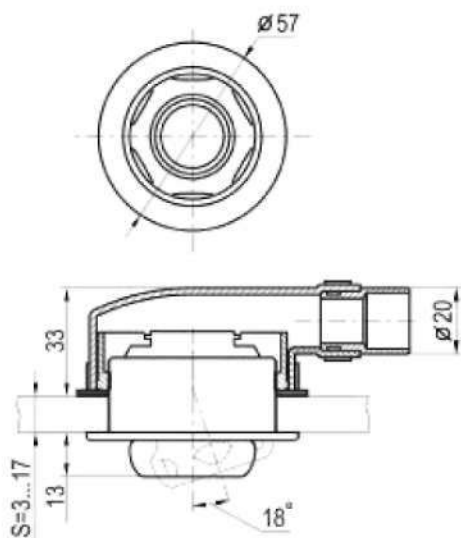
Two modifications: round shape air outlet (P/N 325889.001.001) and oval shape air outlet (P/N 325889.001.002)

- Exclusive design
- Ergonomic
- Noiseless
- Simple mount
- Frame decorative coat– meet customer`s needs
- Air pressure not more 0,4 MPa

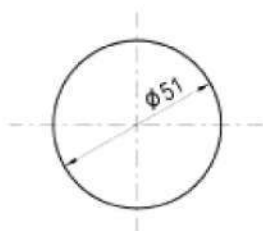
DIMENSIONS, mm

Round shape Air outlet
P/N325889.001.001

Weight 0,15kg

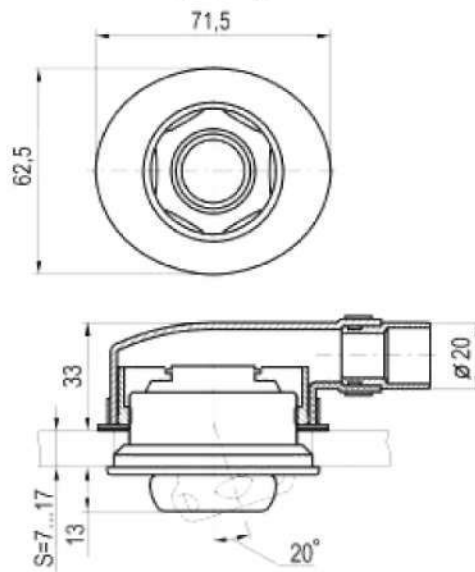


Air outlet mounting pocket



Oval shape Air outlet
P/N 325889.001.002

Weight 0,16kg



Air outlet mounting pocket

