

READING LIGHT

Reading Light is to provide local illumination in aircraft cabin.



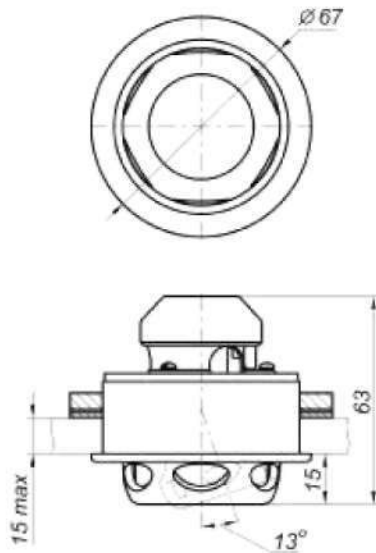
- Exclusive design
- Ergonomic
- Easy mount
- Source – halogen lamp
- Aluminum reflector of halogen lamp with sapphire protective coating
- Input voltage 28 V
- Power consumption 11.5 W
- Case – aluminum alloy
- Decorative coating meets customer's needs

DIMENSIONS, MM

Round shape Reading Light

P/N 676142.001.002

Weight 0,17 kg

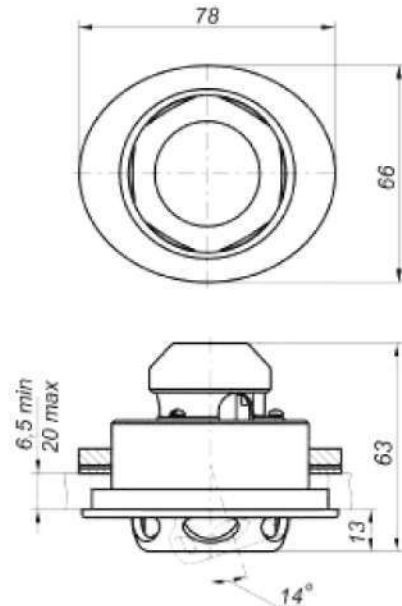


Reading light mounting pocket

Oval shape Reading Light

P/N 676142.001.000

Weight 0,18 kg



Reading light mounting pocket

