

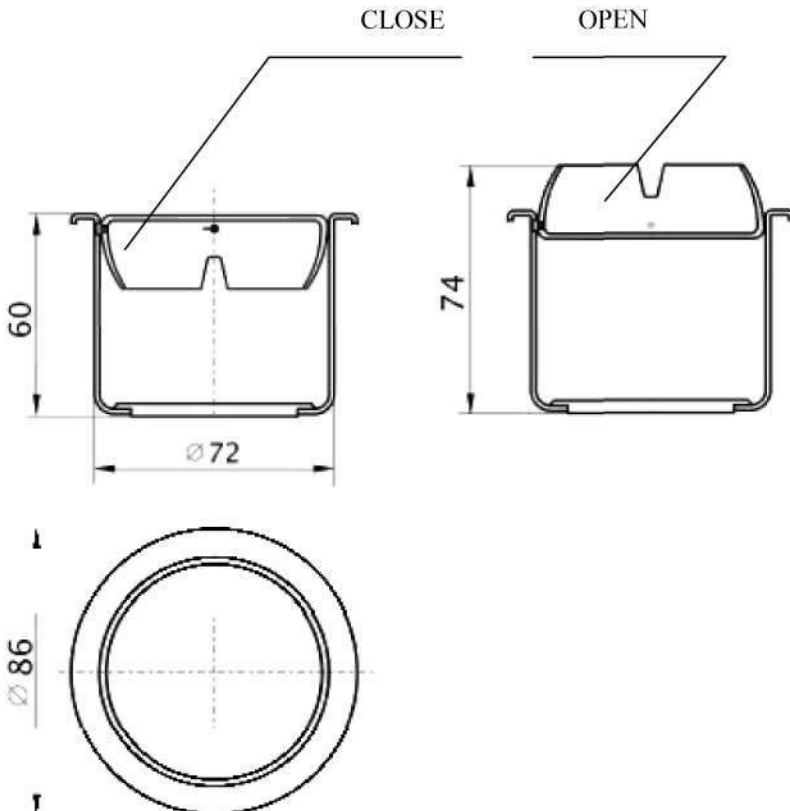
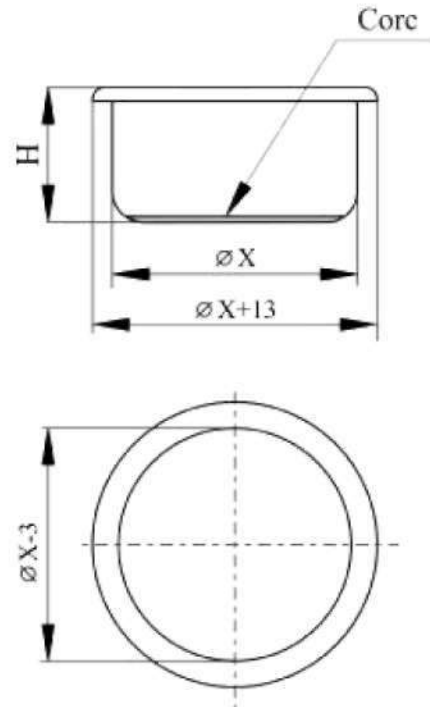


**BUILT-IN FUNCTIONAL ELEMENTS**

Appearance		
Description	Round shape Ashtray	Glass-holder
Part Number	301171.001	301171.002
Decorative coat	Meets customer's needs	
Flame arrester	No	—
Weight, kg	0.13	0.05-0.11

**DIMENSIONS, MM**

Round shape Ashtray  
P/N 301171.001

Glass-holder  
P/N 301171.002


Mark for order:

P/N\_301171.002-6042.

External diameter X,mm  
X=60...87mm

Height H,mm (2 variants)  
H=22mm; H=42mm